

AVENIDA GRANDE

PENDANT™

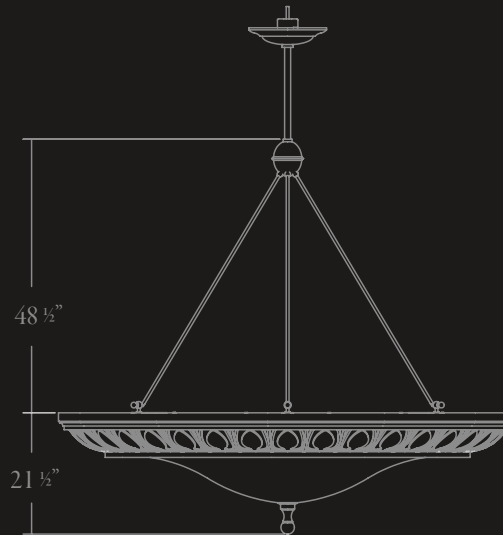


CRENSHAW



AVENIDA GRANDE

PENDANT™



81" W · 21 1/2" H + 48 1/2" C

≈ 650 lbs.

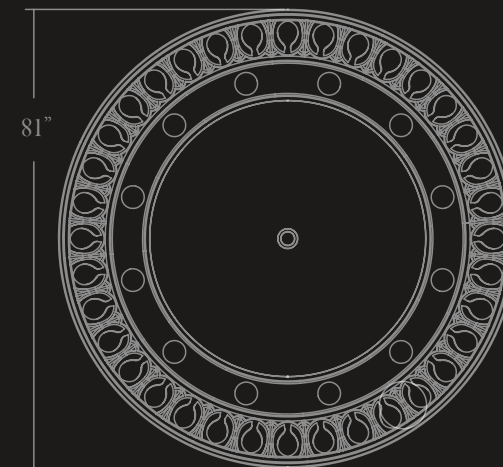
BRASS

(26) 60W A19
1 CIRCUIT

STEM SUSPENSION

NRTL: DRY, DAMP

**captured in Oil Rubbed Bronze patina / white opal glass*



Designs are the sole property of Crenshaw Lighting and may not be conveyed to third parties without express written consent.

*Copyright © 2022 Crenshaw Lighting
All Rights Reserved*

AVENIDA GRANDE

PENDANT™

POLISHED BRASS



SATIN BRASS



AGED BRASS



ANTIQUÉ BRONZE



OIL RUBBED BRONZE



AVENIDA GRANDE

PENDANT™

