

CITADEL

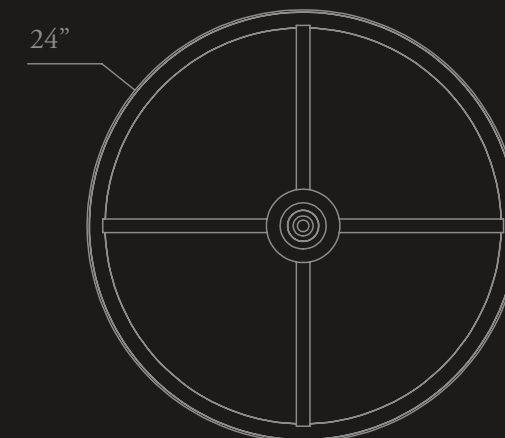
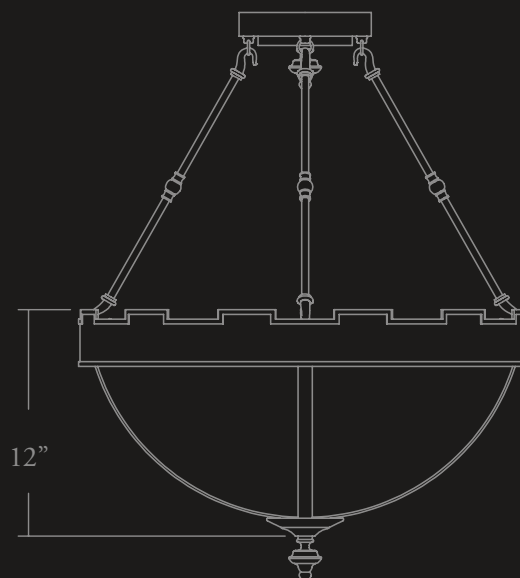
PENDANT™



CRENSHAW

CITADEL

PENDANT™



24" W · 12" H

≈ 38 lbs.

BRASS

(4) 60W A19 EQUIVALENT
1 CIRCUIT

STEM SUSPENSION

NRTL: DRY, DAMP

**captured in Oil-Rubbed Bronze
patina / white opal glass*

*Designs are the sole property
of Crenshaw Lighting and
may not be conveyed to third
parties without express written
consent.*

*Copyright © 2022 Crenshaw Lighting
All Rights Reserved*

CITADEL

PENDANT™

POLISHED BRASS



SATIN BRASS



AGED BRASS



ANTIQUÉ BRONZE



OIL RUBBED BRONZE



CITADEL

PENDANT™

