

MASON II

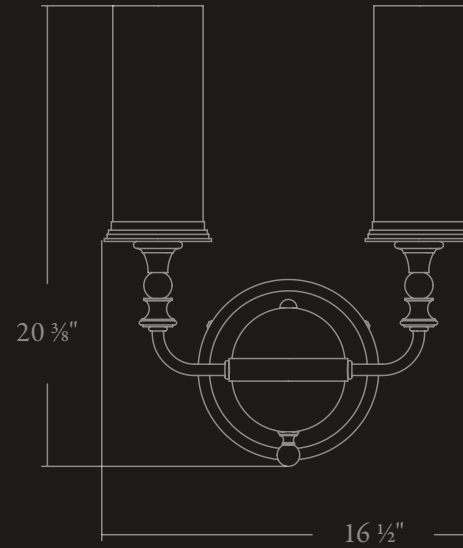
SCONCE™



CRENSHAW

MASON II

SCONCE™



16 ¹/₂" W · 20 ³/₈" H · 7 ¹/₂" EXT

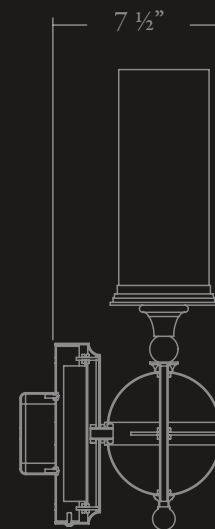
≈ 17 lbs.

BRASS

(2) 60W A19
1 CIRCUIT

NRTL: DRY, DAMP

**captured in Aged Brass
patina / clear frosted glass*



All Crenshaw fixtures are NRTL listed unless otherwise noted. All fixtures are lab tested and certified to comply with ballast, driver, and component manufacturer warranty requirements.

MASON II
SCONCE™

POLISHED BRASS



SATIN BRASS



AGED BRASS



ANTIQUÉ BRONZE



OIL RUBBED BRONZE



MASON II

SCONCE™

