

NOBLE

SCONCE™

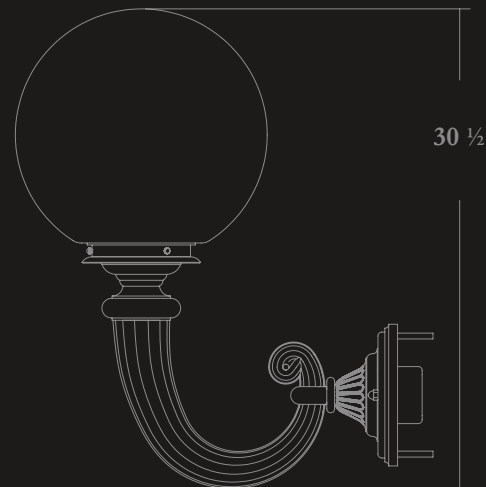


CRENSHAW

CRENSHAWLIGHTING.COM

# NOBLE

SCONCE™



30 1/2"

16" W · 30 1/2" H · 24 1/2" EXT

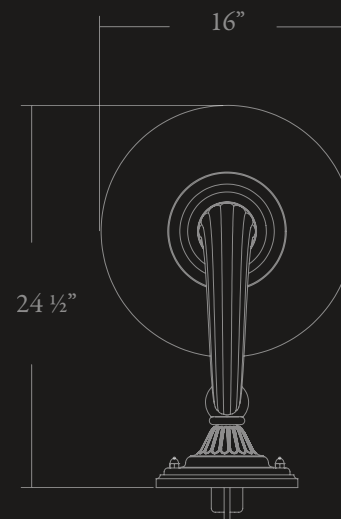
≈ 45 lbs.

BRASS

(1) 60W A19  
1 CIRCUIT

NRTL: DRY, DAMP, WET

*\*captured in Oil Rubbed Bronze  
patina / white opal glass*



16"

24 1/2"

*Designs are the sole property  
of Crenshaw Lighting and  
may not be conveyed to third  
parties without express written  
consent.*

*Copyright © 2022 Crenshaw Lighting  
All Rights Reserved*

POLISHED BRASS



SATIN BRASS



AGED BRASS



ANTIQUÉ BRONZE



OIL RUBBED BRONZE



