

Fixture: Lignum

Width: 16 1/8"

Height: 18"

Crown/Extension: 3 7/8"

Finish: Please Specify

Lens: N/A

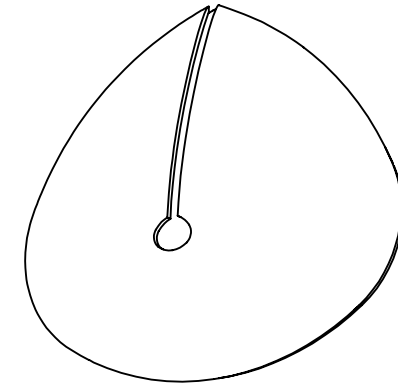
Lamping: Integrated LED

Suspension: Wall

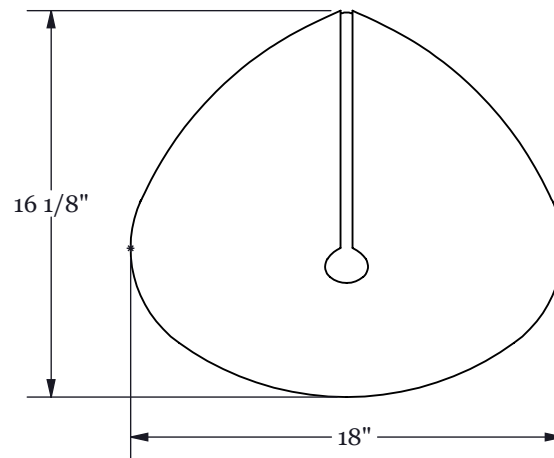
NRTL: Dry Location

Notes:

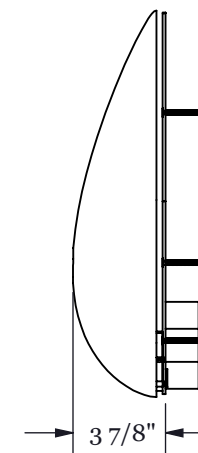
All Crenshaw fixtures are NRTL listed unless otherwise noted. All fixtures lab tested and certified to comply with ballast, driver, and component manufacturer warranty requirements



PERSPECTIVE VIEW
N.T.S.



FRONT ELEVATION VIEW
SCALE 1 : 8



SIDE ELEVATION VIEW
SCALE 1 : 8

Concept sketch. Exact details subject to change for construction.

