

Fixture: Camber Pendant

Width: 2"

Height: 14"

Crown/Extension: N/A

Finish: Please Specify

Lens: N/A

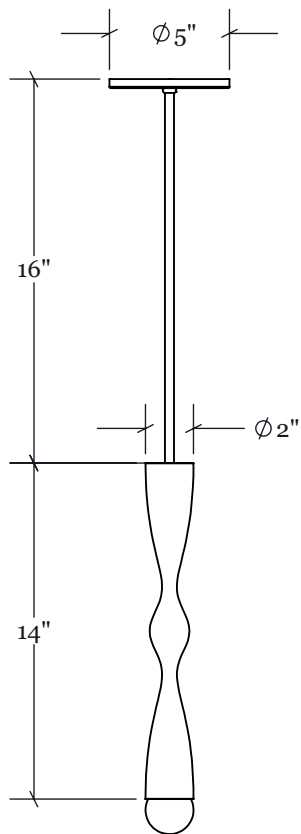
Lamping: Candelabra Base (1)

Suspension: Stem

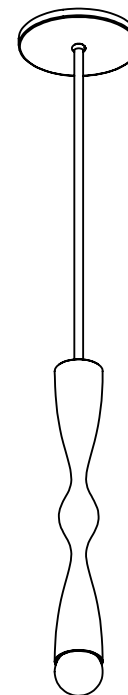
NRTL: Dry Location

Notes:

All Crenshaw fixtures NRTL listed unless otherwise noted. All fixtures lab tested and certified to comply with ballast, driver, and component manufacturer warranty requirements



Elevation View
Scale 1 : 8



Perspectivew View
N.T.S.

Concept sketch. Exact details subject to change for construction.

