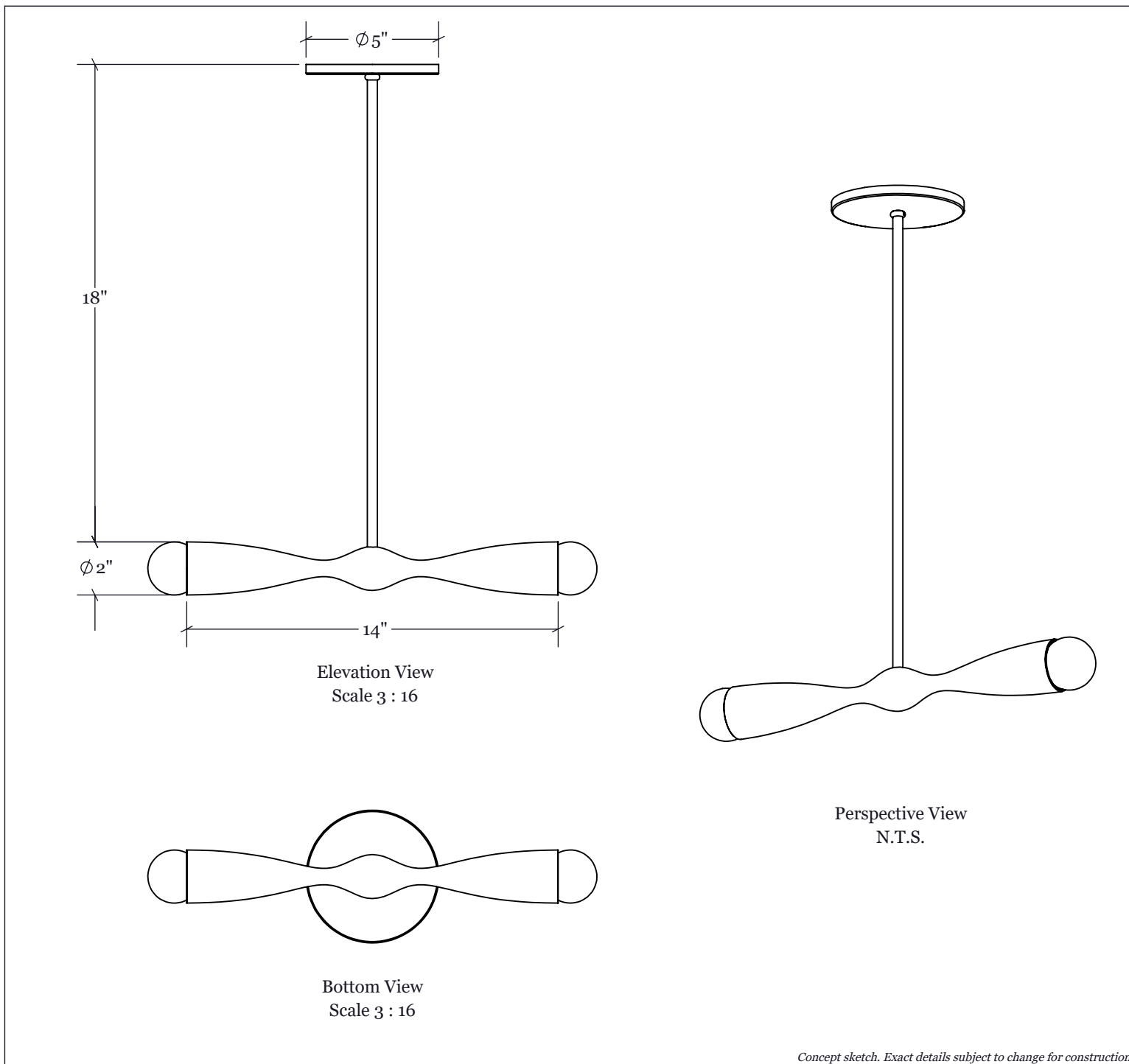


Fixture: Camber Linear  
Pendant

Width: 14"  
Height: 2"  
Crown/Extension: N/A  
Finish: Please Specify  
Lens: N/A  
Lamping: Candelabra Base (2)  
Suspension: Stem  
NRTL: Dry Location  
Notes:

All Crenshaw fixtures NRTL listed  
unless otherwise noted. All fixtures  
lab tested and certified to comply  
with ballast, driver, and component  
manufacturer warranty requirements



Concept sketch. Exact details subject to change for construction.

