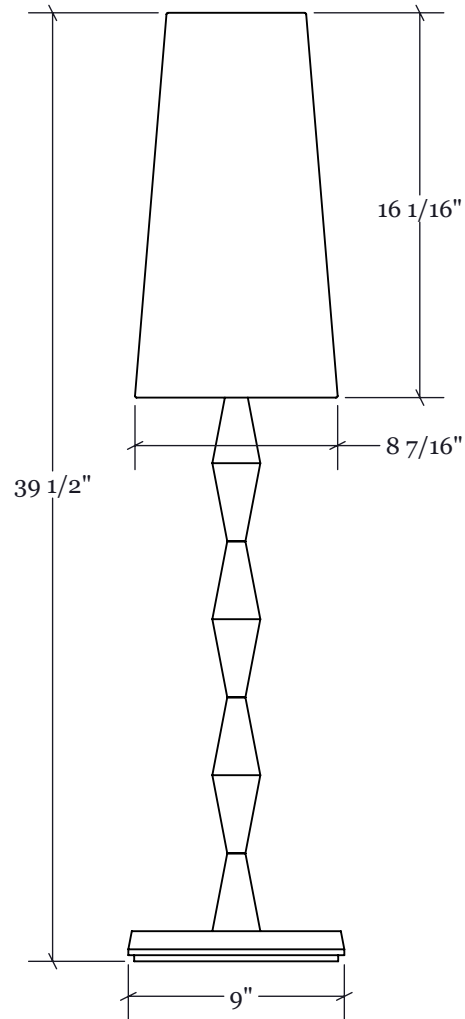


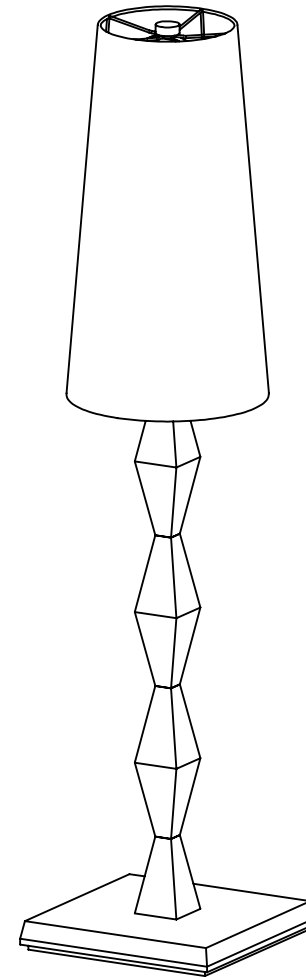
Fixture: Pillar Table Lamp

Width: 9"  
Height: 39 1/2"  
Crown/Extension: N/A  
Finish: Please Specify  
Lens: Fabric Shade  
Lamping: Medium Base  
Suspension: N/A  
NRTL: Dry Location  
Notes:

All Crenshaw fixtures NRTL listed unless otherwise noted. All fixtures lab tested and certified to comply with ballast, driver, and component manufacturer warranty requirements



Elevation View  
Scale 1 : 8



Perspective View  
N.T.S.

Concept sketch. Exact details subject to change for construction.

