

LED CYLINDER



FINISHES

Painted - PT

(B)Black, (W)White, (A)Aluminum

Custom finishes available upon request - CUF

MOUNTING

Remote Driver Box

LENSES

White Acrylic - WA



UL/CSA dry location

Designs are the sole property of Crenshaw Lighting and may not be conveyed to third parties without express written consent. Copyright © 2019 Crenshaw Lighting. All Rights Reserved.

LED Cylinder SP4

Ø3" x 23 1/2"

3000k

80 CRI

6000 Initial Lms

LA: LED alternate performance options are available upon request

LED Cylinder SP4.1

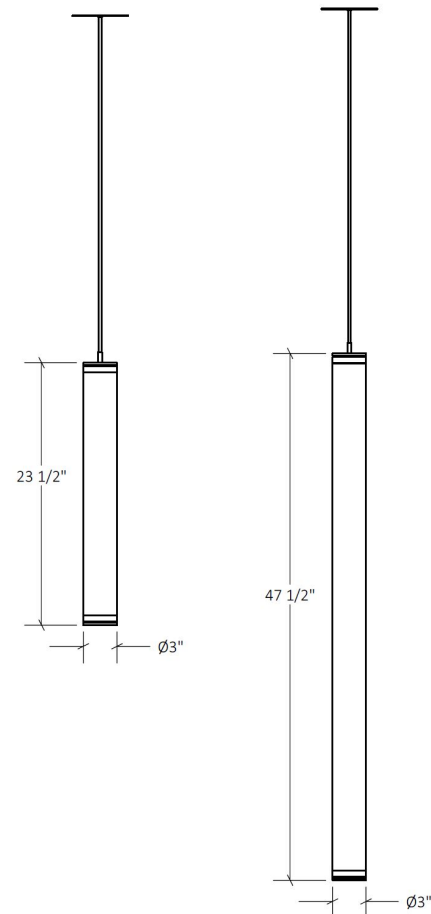
Ø3" x 47 1/2"

3000k

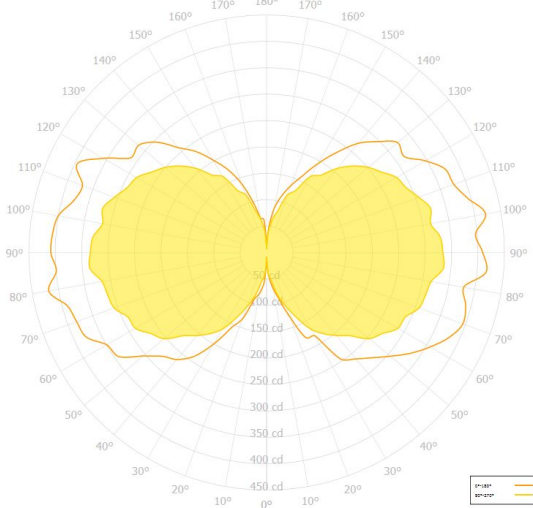
80 CRI

12000 Initial Lms

LA: LED alternate performance options are available upon request



SP4



Performance for LED Cylinder

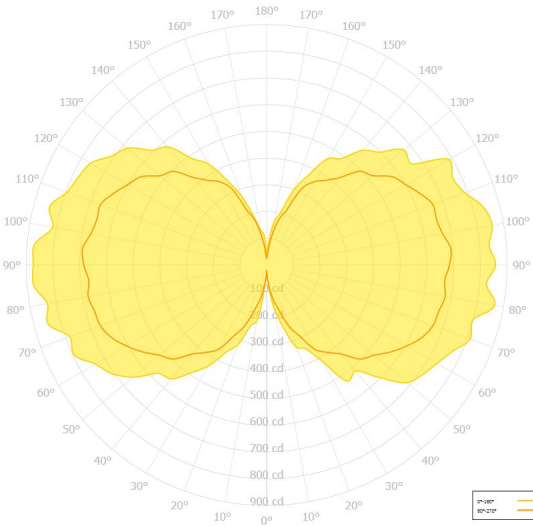
Color	CRI	W	Delivered Lms	Lm/W
3000k	80	37	3600	162

SP4 

Color	CRI	W	Delivered Lms	Lm/W
3000k	80	78	7600	154

SP4.1 

SP4.1



Note on these Photometric Calculations: This analysis is a mathematical model and can be only as accurate as is permitted by the third party software and the IES standards used. This report is intended as a guideline and not a guarantee of performance. For a physical test, please contact Crenshaw Lighting.

Copyright © 2019 Crenshaw Lighting. All Rights Reserved.