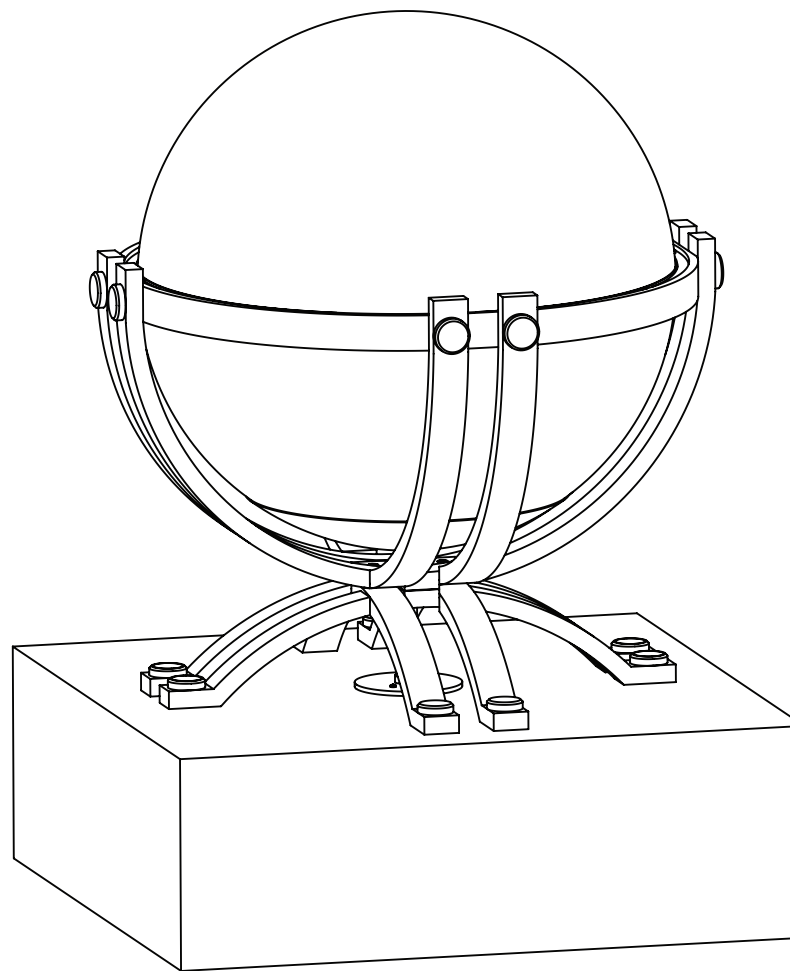


CRENSHAW

Pier Mount Globe #3511-SEC

Finish: Per order
Lens: 30" dia white acrylic globe
(seamed)
Width: 35"
Height: 38"
Lamping: Per order
Location: Wet

Idea Book fixtures may be used as shown or as the basis for new custom designs. Dimensions, materials, lamping, and other design elements may be modified as needed.



All Crenshaw fixtures UL or CSA listed unless otherwise noted. All fixtures lab tested and certified to comply with ballast, driver, and component manufacturer warranties.

