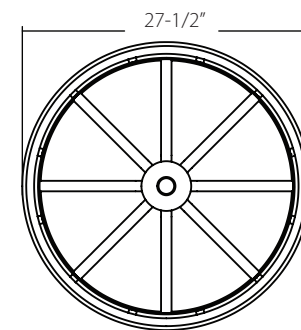
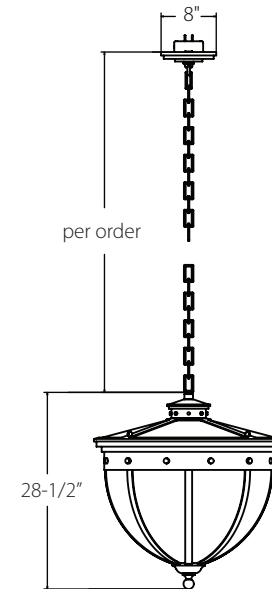
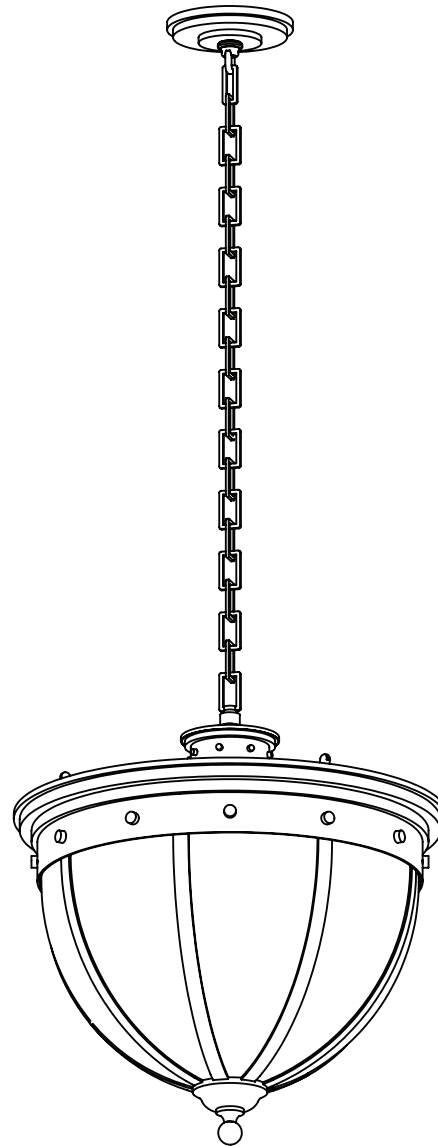


CRENSHAW

Exterior Urn Pendant #4600-PBC6

Finish: Satin Aluminum
Lens: Frosted Clear Glass
Width: 27-1/2"
Height: 28-1/2"
Lamping: (1) 100W ED17 MH
Suspension: Custom square link
chain
Location: Damp

Idea Book fixtures are presented as design inspiration and may be used as the basis for new custom lighting. Exact duplication of this original design may be restricted.



All Crenshaw fixtures UL or CSA listed unless otherwise noted. All fixtures lab tested and certified to comply with ballast, driver, and component manufacturer warranties.

