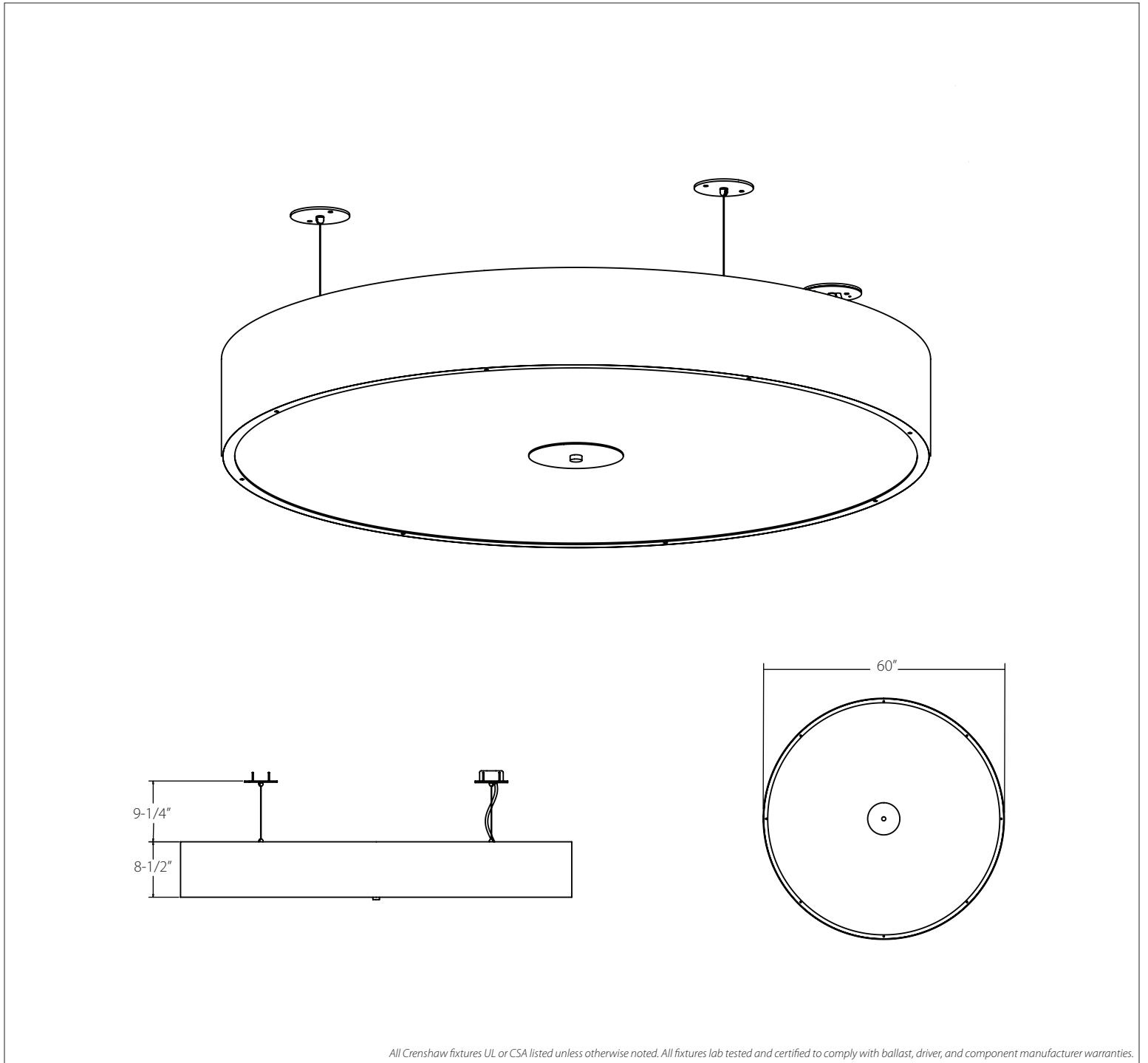


# CRENSHAW



## Drum Pendant #4928-PEC

Finish: Painted per specification

Lens: Frosted White Acrylic

Width: 60"

Height: 8-1/2"

Lamping: (8) 25W T8 FL or  
16,000 lum LED

Suspension: Stainless steel cable  
with SJ power cable,  
length per specification

Location: Dry, listing fees for LED  
may apply

Notes: Top lens for uplighting,  
dust cover, subject to

Idea Book fixtures may be used as shown or  
as the basis for new custom designs.  
Dimensions, materials, lamping, and other  
design elements may be modified as  
needed.

All Crenshaw fixtures UL or CSA listed unless otherwise noted. All fixtures lab tested and certified to comply with ballast, driver, and component manufacturer warranties.

