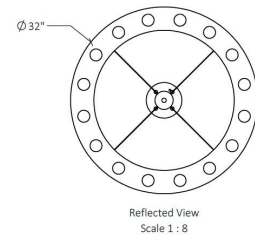
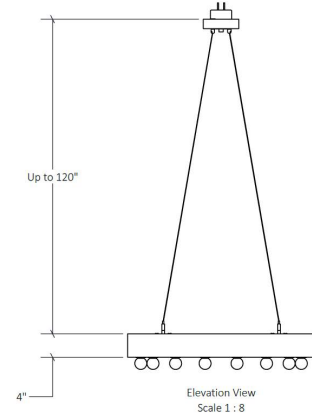




Marquee Ring Chandelier

Crenshaw Custom



Marquee Ring Chandelier 5503-PRCM

Lamping

Finishes

Lenses

Specify

FINISHES
Painted - PT
Powder Coated - PWD

LENSES
N/A

SUSPENSION
Cable

NOTES
UL/CSA: Dry Location

5503-PRC36
Ø36" x 4"H
(up to 120" cable)

NA (16) Medium Base Sockets

5503-PRC60
Ø60" x 4"H
(up to 120" cable)

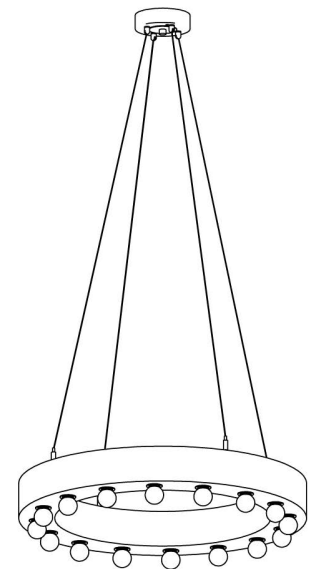
NA (26) Medium Base Sockets

All Crenshaw fixtures UL or CSA listed unless otherwise noted. All fixtures lab tested and certified to comply with ballast, driver, and component manufacturer warranty requirements.

Designs are the sole property of Crenshaw Lighting and may not be conveyed to third parties without express written consent.

Copyright © 2021 Crenshaw Lighting. All Rights Reserved.

115 Lighting Way | Floyd, VA 24091 | 540.745.3900 |



Perspective View
N.T.S.

