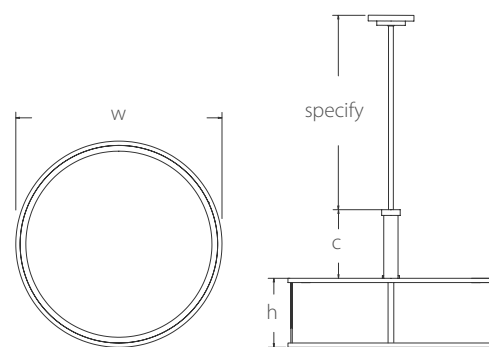




Contemporary Drum Pendant

Crenshaw Catalog



Provided with up to 10 ft suspension stem, cut to specification, with canopy and hardware suitable for mounting to a flat or angled ceiling. Perforated top cover standard, optional top lens available with reduced lamping. UL/CSA dry or damp location.



Contemporary Drum Pendant # PES 8171, 8172, 8173

Lamping Finishes Lenses Specify

FINISHES

- Painted - PT
- Premium Painted - PTP
- Satin Aluminum - SA
- Satin Brass - SB
- Polished Brass - PB
- Bronze Lacquer - BQ
- Antique Brass - AB
- Aged Brass - AGB
- Antique Bronze - ABZ
- Oil-Rubbed Bronze - ORB
- Satin Nickel - SN
- Polished Nickel - PN

LENSES

- White Acrylic - WA
- Ivory Acrylic - IVA
- Faux Alabaster Acrylic - FX
- Honey Faux Alabaster Acrylic - HX
- Custom Acrylic - CUA

PES 8171

28" w x 10" h + 9.5" c, specify suspension

NA: (6) 60W A19 equivalent
 LA/LA-D: LED system specifications including output, color temperature, and dimming options are available upon request

PES 8173

42" w x 15" h + 14" c, specify suspension

NA: (8) 100W A19 equivalent
 LA/LA-D: LED system specifications including output, color temperature, and dimming options are available upon request

PES 8172

36" w x 12" h + 12" c, specify suspension

NA: (6) 100W A19 equivalent
 LA/LA-D: LED system specifications including output, color temperature, and dimming options are available upon request