

CRENSHAW

Simple Forms Ceiling Drum #CES 8701

Finish: Per order

Lens: White Acrylic seamless drum

Width: 20-1/2"

Height: 7-1/8"

Lamping:

LA: CLED-3000 (42W, 3,000 lum,
3000K)

LA-D: CLED-3000 (42W, 3,000 lum,
3000K) 0-10V dim

or CLED-3000-PC (42W, 3,000 lum,
3000K) phase control (LE) dim

or CLED-3000-L3 (42W, 3,000 lum,
3000K) Lutron 3-wire or
EcoSystem 1% dim

4,000 lum LED in development

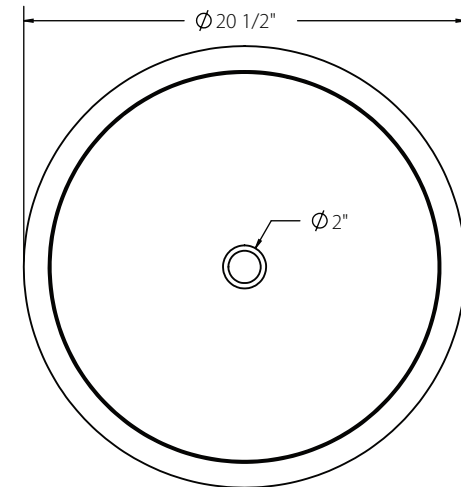
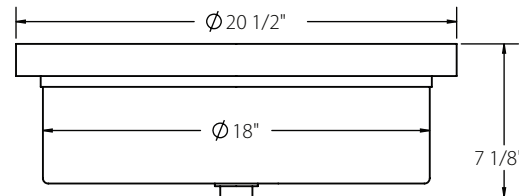
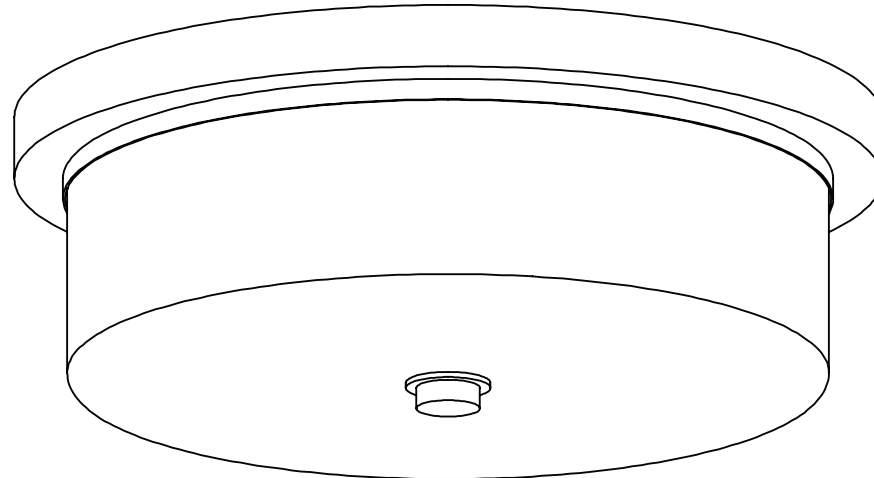
-FA: (2) 26W TBX CFL

-FA-D: (2) 26W TBX CFL Adv Mark X
dim (semi-recessed)

-NA: (2) 40W A19 equivalent

Location: Dry

Catalog products are made to order in our lighting studios in Southwest Virginia. Many customization options are available. Please ask about expedited lead times.



All Crenshaw fixtures UL or CSA listed unless otherwise noted. All fixtures lab tested and certified to comply with ballast, driver, and component manufacturer warranties.

