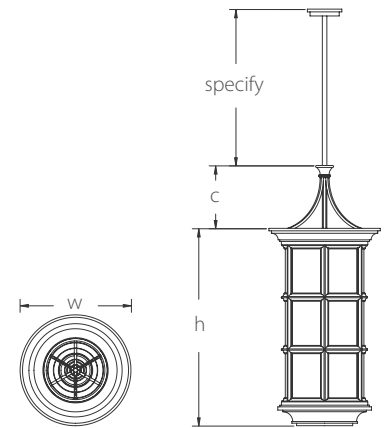




## Tilton Lantern Pendant

*Crenshaw Catalog*



Provided with up to 10 ft suspension stem, cut to specification, with canopy and hardware suitable for mounting to a flat or angled ceiling. UL/CSA dry or damp location.



### Tilton Lantern Pendant # PES 8001, 8002

Lamping Finishes Lenses Specify

#### FINISHES

Painted - PT  
Premium Painted - PTP  
Satin Aluminum - SA

#### PES 8001

17" w x 31" h + 9-1/2" c, specify suspension

-NA: (6) 75W A19 equivalent  
-ND: (6) 75W A19 + (1) 300W R40 equivalent  
-LA-D: LED system specifications including output, color temperature, and dimming options are available upon request

#### PES 8002

20" w x 41" h + 14" c, specify suspension

-NA: (9) 100W A19 equivalent  
-ND: (9) 100W A19 + (1) 300W R40 equivalent  
-LA-D: LED system specifications including output, color temperature, and dimming options are available upon request

#### LENSES

White Acrylic - WA  
Ivory Acrylic - IVA  
Faux Alabaster Acrylic - FX  
Honey Faux Alabaster Acrylic - HX  
Ribbed Acrylic - RA  
Custom Acrylic - CUA

